

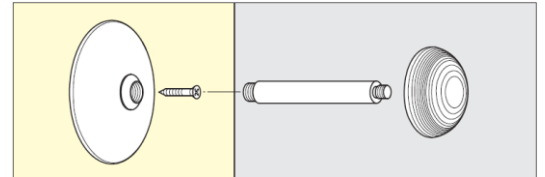
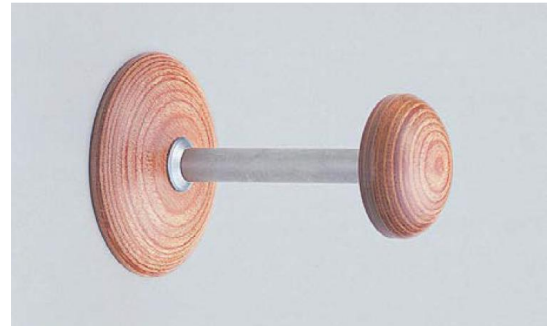
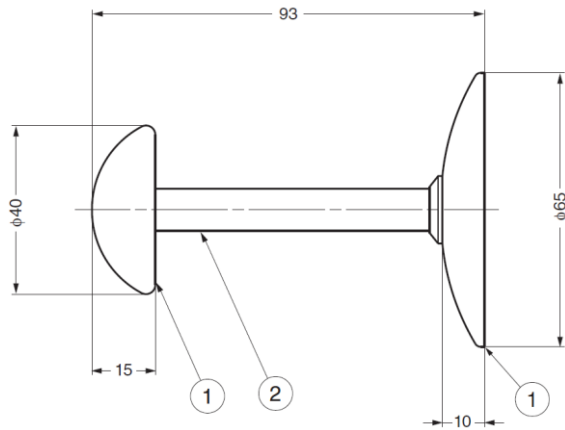
GSW-B-135 Coat Hook

Features

- Laminated wood resists water, oil, heat, etc

Parts Included

- Countersunk head wood screw 3.2x20



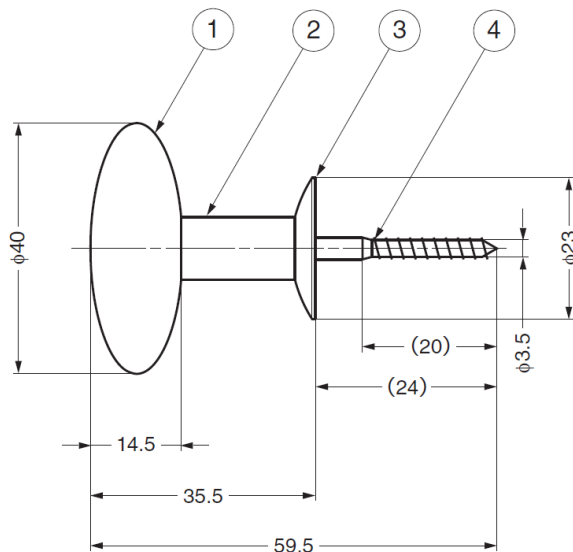
No.	Material	Finish
①	Natural Wood	Plain
②	Brass	Satin Nickel

Part No.	Load Capacity	
GSW-B-135	68.6 N	7 kg

GSW-G-40 Coat Hook

Features

- Laminated wood resists water, oil, heat, etc.



No.	Material	Finish
①	Natural Wood	Plain
②	Stainless Steel (SUS303)	Satin
③	Stainless Steel (SUS304)	Plain
④	Steel	Yellow Zinc Chromate

Part No.	Load Capacity	
GSW-G-40	98 N	10 kg